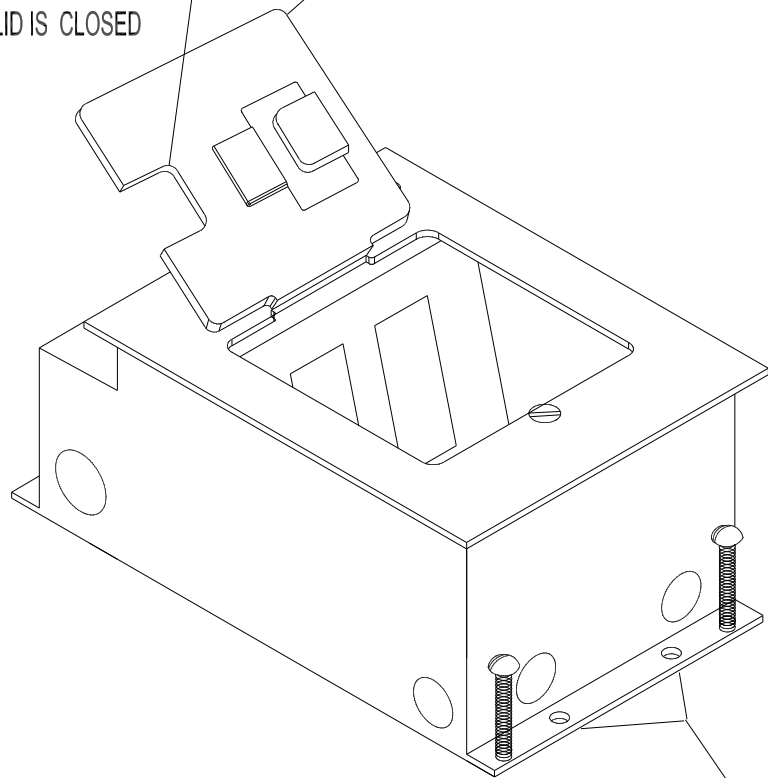


OPENING IN LID
ALLOWS CABLES TO
EXIT BOX WHEN
LID IS CLOSED

STAINLESS STEEL
GASKETED LID
& TRAP DOOR

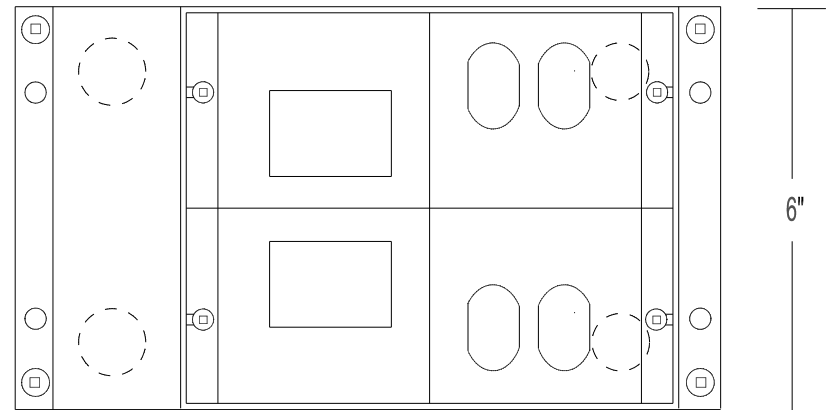


TIE DOWN POINTS

EXTENDED COMPARTMENT ALLOWS
FOR LARGE BEND RADIUS OF
COMMUNICATION CABLES



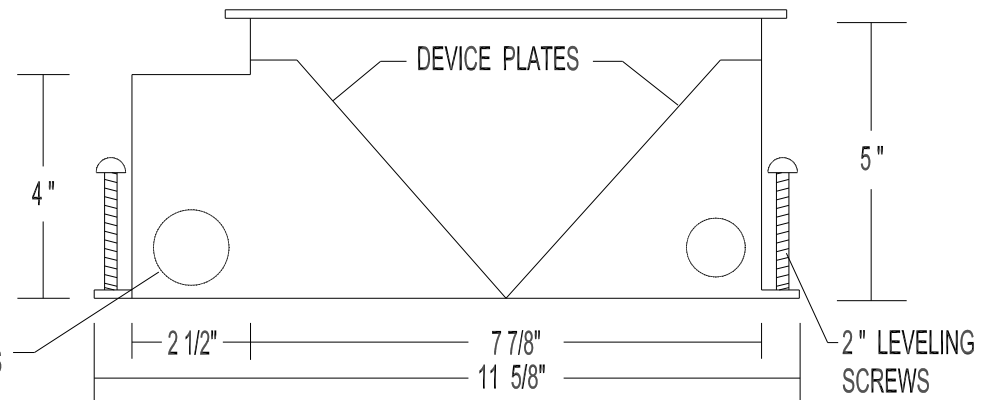
WELLMARK ELECTRIC
PH: 519-650-4495
wellmarkelectric.com



(2) DECORATOR OPENING
COMMUNICATION

(2) DUPLEX OPENING
POWER

TOP VIEW INSIDE BOX



DEVICE PLATES

4"

5"

2 1/2"

7 7/8"

11 5/8"

2" LEVELING
SCREWS

SIDE VIEW

MATERIALS: BOX- 16 GA. GALV. STEEL LID & SURROUND- 1/8" STAINLESS STEEL

NOTES: STANDARD KNOCKOUTS - 3/4" POWER 1" COMMUNICATION



TITLE

410 EXTENDED COMMUNICATION SERIES
CONCRETE FLOOR BOX

DIMENSIONS IN INCHES
UNLESS OTHERWISE SPECIFIED

SCALE NTS

REFERENCE

DR. BY MP

DATE 01 / 17

PART NO.

APP. BY

DATE

410-5EXTCOMM-YYXX-SS