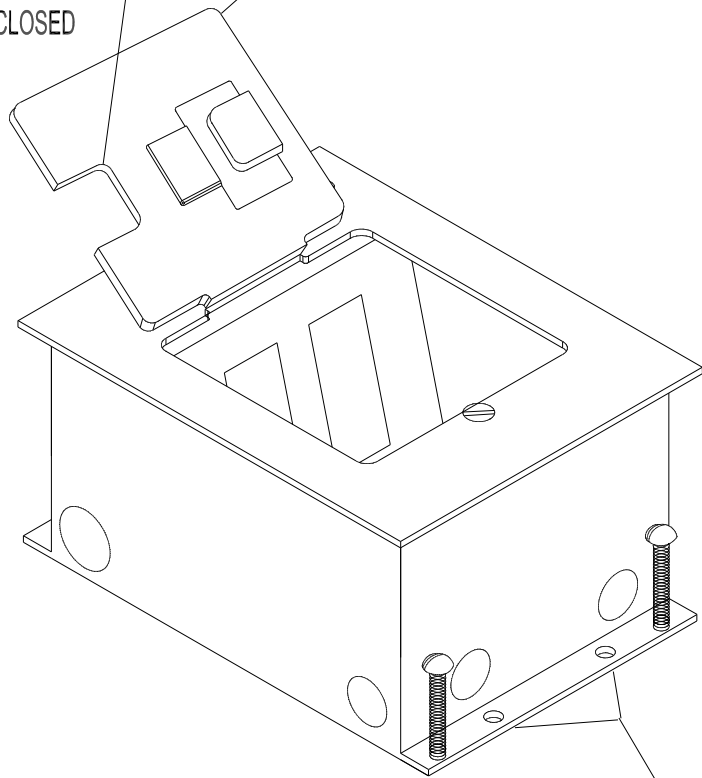


OPENING IN LID
ALLOWS CABLES TO
EXIT BOX WHEN
LID IS CLOSED

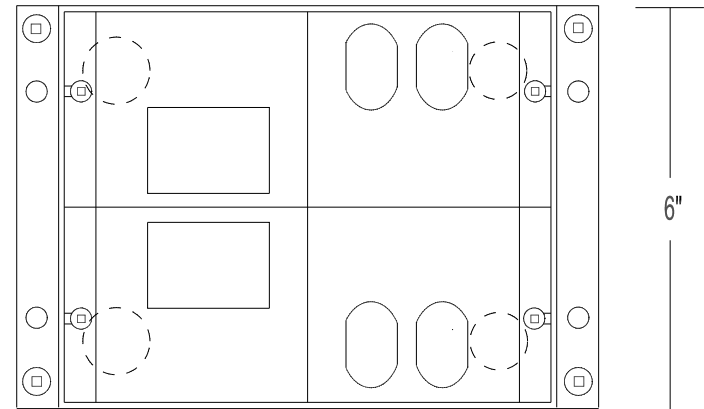
STAINLESS STEEL
GASKETED LID
& TRAP DOOR



TIE DOWN POINTS



WELLMARK ELECTRIC
PH: 519-650-4495
wellmarkelectric.com

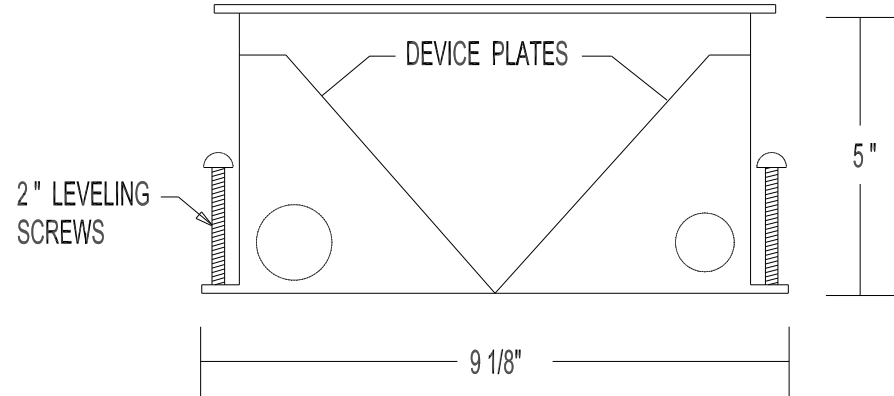


(2) DECORATOR OPENING
COMMUNICATION

(2) DUPLEX OPENING
POWER

6"

TOP VIEW INSIDE BOX



2" LEVELING
SCREWS

DEVICE PLATES

5"

9 1/8"

SIDE VIEW

MATERIALS: BOX- 16 GA. GALV. STEEL LID & SURROUND- 1/8" STAINLESS STEEL

NOTES: STANDARD KNOCKOUTS - 3/4" POWER 1" COMMUNICATION



TITLE

410 SERIES CONCRETE FLOOR BOX

DIMENSIONS IN INCHES
UNLESS OTHERWISE SPECIFIED

SCALE NTS

REFERENCE

DR. BY MP

DATE 01 / 17

PART NO.

APP. BY

DATE

410-5YYXX-SS