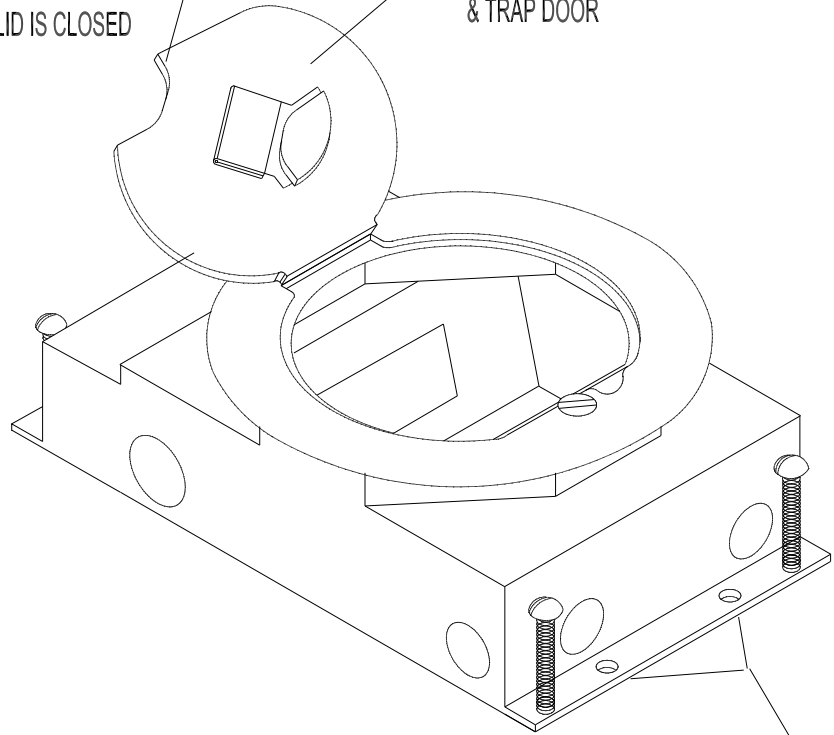


OPENING IN LID
ALLOWS CABLES TO
EXIT BOX WHEN
LID IS CLOSED

STAINLESS STEEL
GASKETED LID
& TRAP DOOR

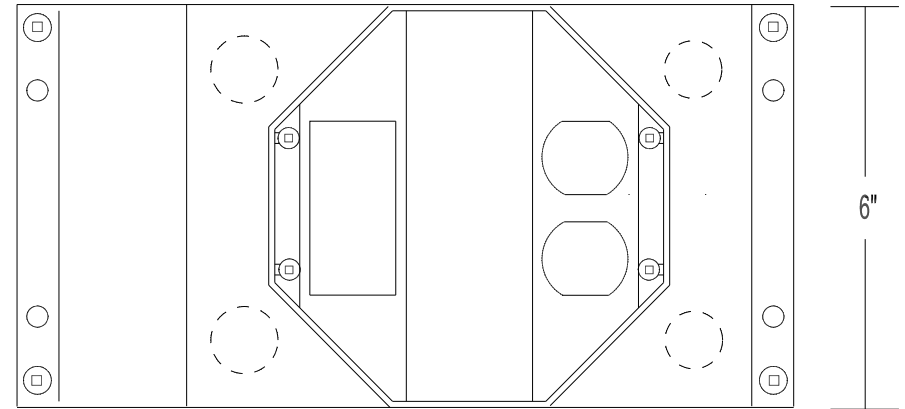


TIE DOWN POINTS

EXTENDED COMPARTMENT ALLOWS
FOR LARGE BEND RADIUS OF
COMMUNICATION CABLES



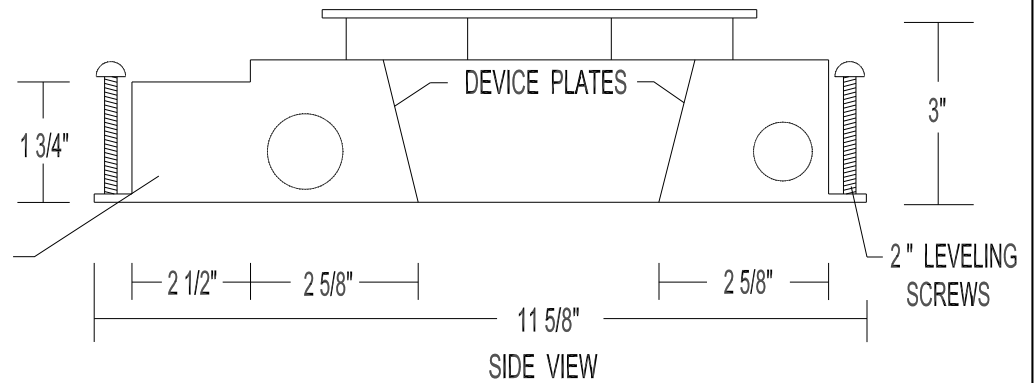
WELLMARK ELECTRIC
PH: 519-650-4495
wellmarkelectric.com



(1) DECORATOR OPENING
COMMUNICATION

(1) DUPLEX OPENING
POWER

TOP VIEW INSIDE BOX



1 3/4"

DEVICE PLATES

3"

2" LEVELING
SCREWS

2 1/2" 2 5/8" 11 5/8" 2 5/8"

SIDE VIEW

MATERIALS: BOX- 16 GA. GALV. STEEL LID & SURROUND- 1/8" STAINLESS STEEL

NOTES: STANDARD KNOCKOUTS - 3/4" POWER 1" COMMUNICATION



TITLE 410RL EXTENDED COMMUNICATION SERIES
CONCRETE FLOOR BOX

DIMENSIONS IN INCHES
UNLESS OTHERWISE SPECIFIED

SCALE NTS

REFERENCE

DR. BY MP

DATE 01/17

PART NO.

APP. BY

DATE

410RL-1EXTCOMM-YX-SS