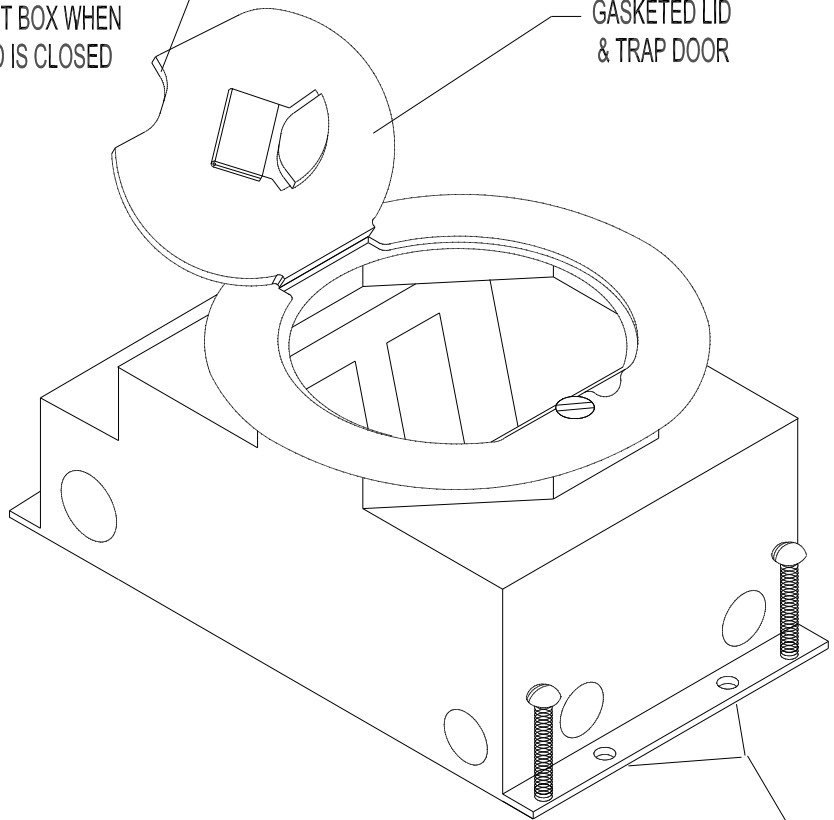


OPENING IN LID  
ALLOWS CABLES TO  
EXIT BOX WHEN  
LID IS CLOSED

STAINLESS STEEL  
GASKETED LID  
& TRAP DOOR

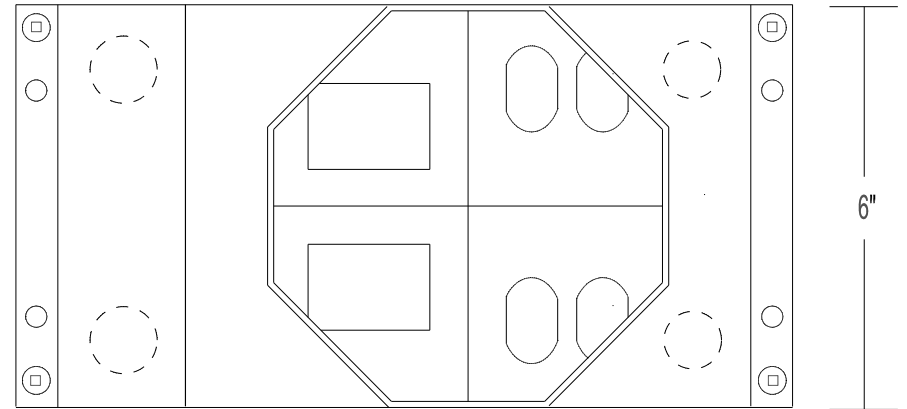


TIE DOWN POINTS

EXTENDED COMPARTMENT ALLOWS  
FOR LARGE BEND RADIUS OF  
COMMUNICATION CABLES



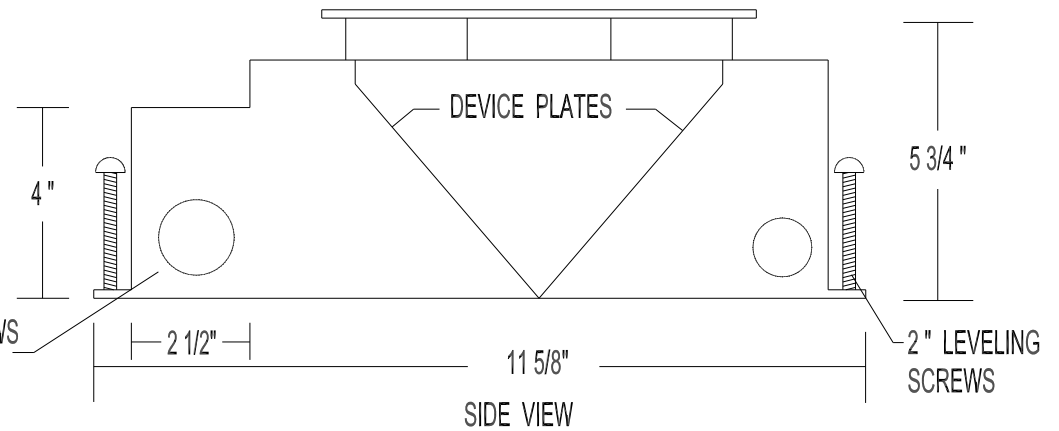
WELLMARK ELECTRIC  
PH: 519-650-4495  
wellmarkelectric.com



(2) DECORATOR OPENING  
COMMUNICATION

(2) DUPLEX OPENING  
POWER

TOP VIEW INSIDE BOX



DEVICE PLATES

4"

5 3/4"

2 1/2"

11 5/8"

2" LEVELING  
SCREWS

SIDE VIEW

MATERIALS: BOX- 16 GA. GALV. STEEL LID & SURROUND- 1/8" STAINLESS STEEL

NOTES: STANDARD KNOCKOUTS - 3/4" POWER 1" COMMUNICATION



TITLE

410RL EXTENDED COMMUNICATION SERIES  
CONCRETE FLOOR BOX

DIMENSIONS IN INCHES  
UNLESS OTHERWISE SPECIFIED

SCALE NTS

REFERENCE

DR. BY MP

DATE 01 / 17

PART NO.

APP. BY

DATE

410RL-5EXTCOMM-YYXX-SS