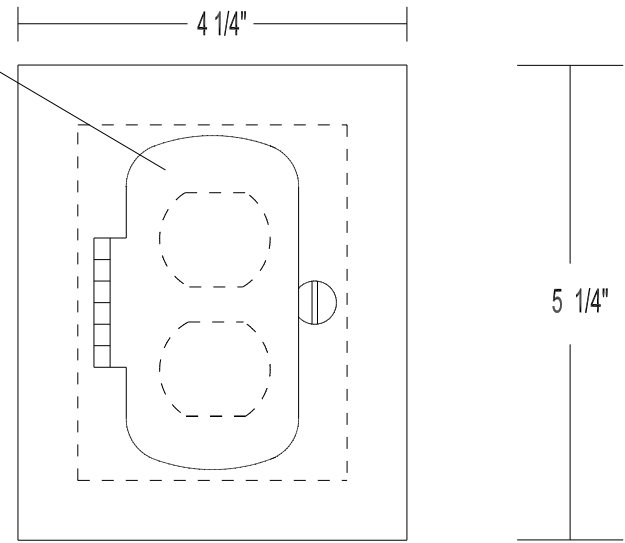
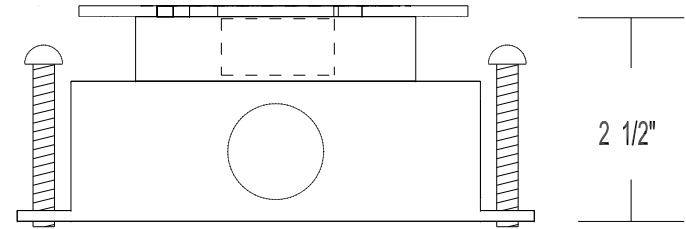


LID ASSEMBLY HOLD
DOWN SCREWS CONCEALED
UNDER FLIP LID



TOP VIEW



6" X 4 5/8"

SIDE VIEW



WELLMARK ELECTRIC
PH: 519-650-4495
wellmarkelectric.com

MATERIALS: LID ASSEMBLY - 1/8" STAINLESS STEEL BOX - 16 GA GALVANIZED STEEL

NOTES: PLATE OPTIONS: DUPLEX SUFFIX PART NUMBER WITH "Y" AS SHOWN
DECORATOR SUFFIX PART NUMBER WITH "X"

KNOCKOUTS: TWO SIDES (1) 1/2" TWO SIDES (1) 3/4" BOTTOM (2) 1/2"



TITLE

440 SERIES CONCRETE FLOOR BOX

DIMENSIONS IN INCHES
UNLESS OTHERWISE SPECIFIED

SCALE NTS

REFERENCE

DR. BY MP

DATE 01 / 17

PART NO. 440SR-C/Y (DUPLEX)
440SR-C/X (DECORATOR)

APP. BY

DATE