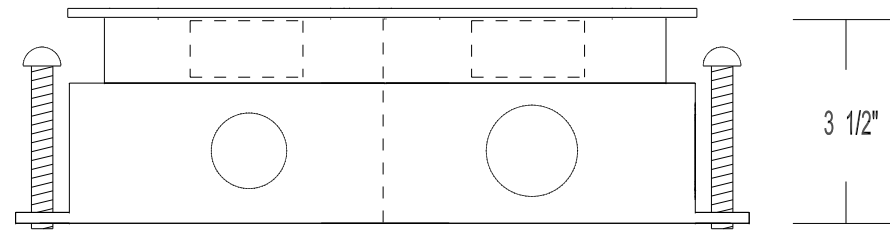


TOP VIEW



SIDE VIEW



WELLMARK ELECTRIC
PH: 519-650-4495
wellmarkelectric.com

MATERIALS: COVER - 1/8" STAINLESS STEEL BOX - 16 GA GALVANIZED STEEL

NOTES: KNOCKOUTS: TWO ENDS (1) 3/4" TWO SIDES (1) 3/4" & (1) 1" BOTTOM (2) 1/2" & (2) 3/4"



TITLE

442 SERIES CONCRETE FLOOR BOX

DIMENSIONS IN INCHES
UNLESS OTHERWISE SPECIFIED

SCALE NTS

REFERENCE

DR. BY MP

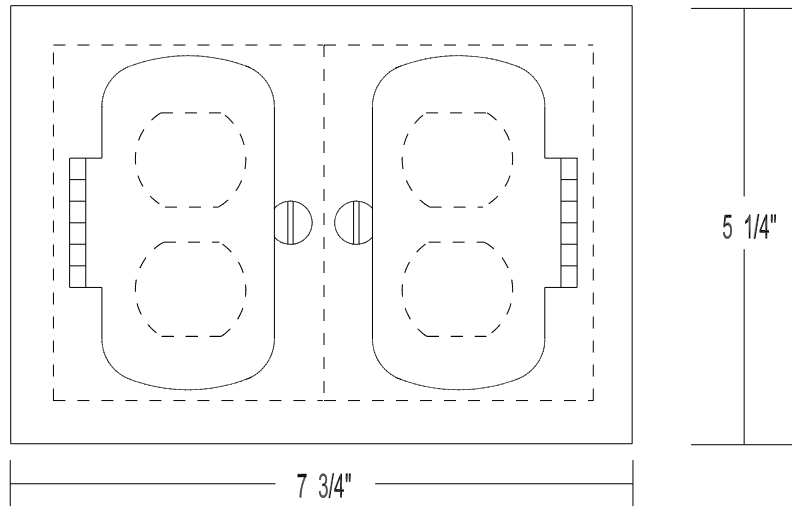
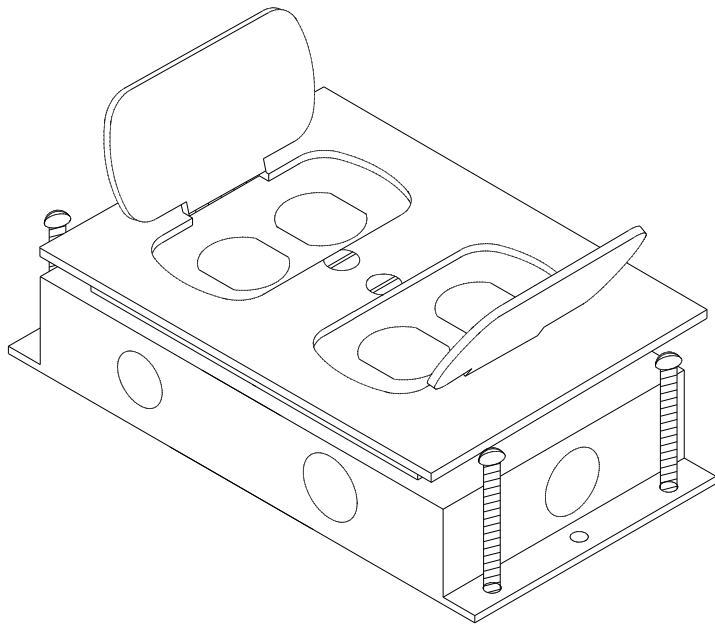
DATE 01 / 17

PART NO.

442D-C/YX

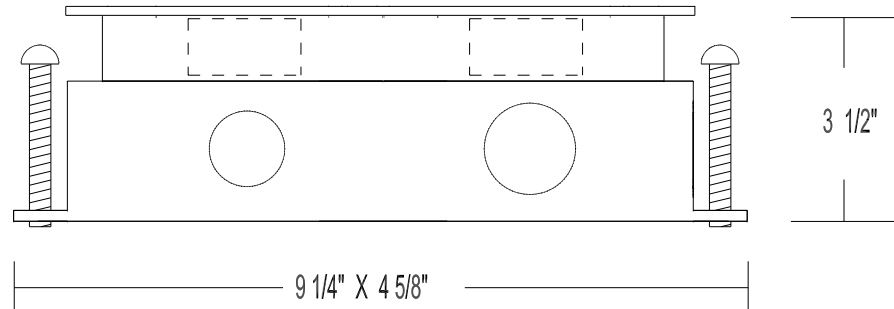
APP. BY

DATE



(2) DUPLEX OPENINGS POWER

TOP VIEW



SIDE VIEW



WELLMARK ELECTRIC
 PH: 519-650-4495
 wellmarkelectric.com

MATERIALS: COVER - 1/8" STAINLESS STEEL BOX - 16 GA GALVANIZED STEEL

NOTES: TWO ENDS (1) 3/4" TWO SIDES (1) 3/4" & (1) 1" BOTTOM (2) 1/2" & (2) 3/4"



TITLE

442 SERIES CONCRETE FLOOR BOX

DIMENSIONS IN INCHES
 UNLESS OTHERWISE SPECIFIED

SCALE NTS

REFERENCE

DR. BY MP

DATE 01 / 17

PART NO.

442D-C/YY

APP. BY

DATE