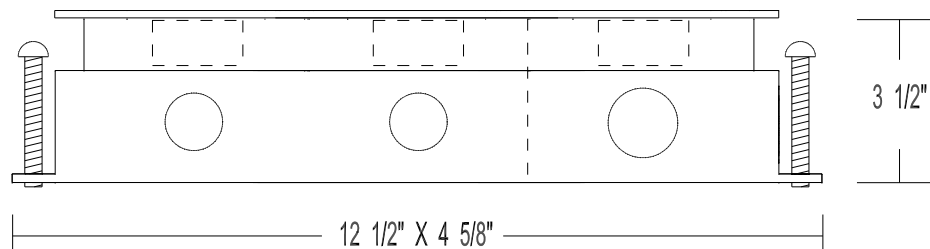


(2) DUPLEX OPENING
POWER

DECORATOR OPENING
COMMUNICATION

TOP VIEW



SIDE VIEW



WELLMARK ELECTRIC
PH: 519-650-4495
wellmarkelectric.com

MATERIALS: COVER - 1/8" STAINLESS STEEL BOX - 16 GA GALVANIZED STEEL

NOTES: KNOCKOUTS: TWO ENDS (1) 3/4" TWO SIDES (2) 3/4" & (1) 1" BOTTOM (3) 1/2" & (3) 3/4"



TITLE

443 SERIES CONCRETE FLOOR BOX

DIMENSIONS IN INCHES
UNLESS OTHERWISE SPECIFIED

SCALE NTS

REFERENCE

DR. BY MP

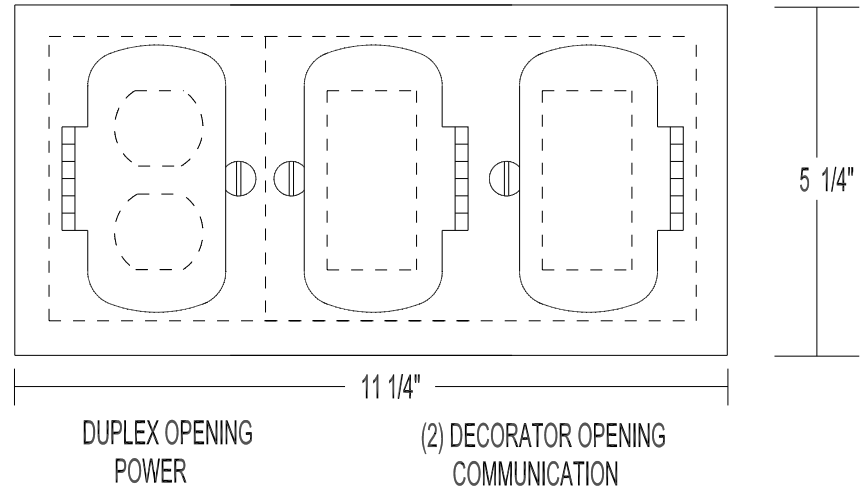
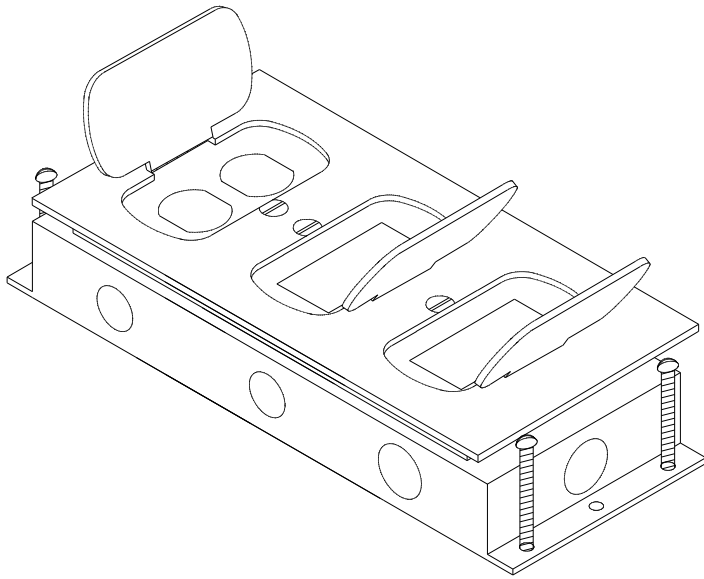
DATE 01 / 17

PART NO.

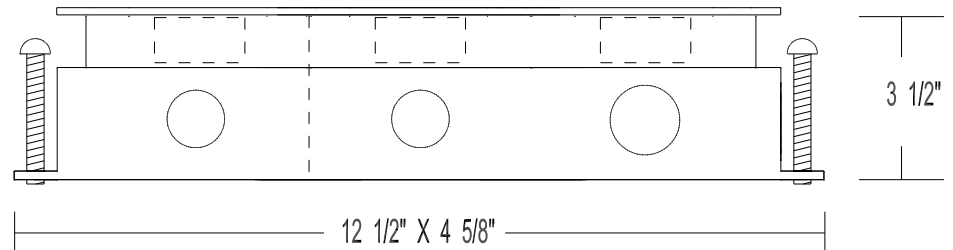
443D-C/YYX

APP. BY

DATE



TOP VIEW



SIDE VIEW



WELLMARK ELECTRIC
PH: 519-650-4495
wellmarkelectric.com

MATERIALS: COVER - 1/8" STAINLESS STEEL BOX - 16 GA GALVANIZED STEEL

NOTES: KNOCKOUTS: TWO ENDS (1) 3/4" TWO SIDES (2) 3/4" & (1) 1" BOTTOM (3) 1/2" & (3) 3/4"



TITLE

443 SERIES CONCRETE FLOOR BOX

DIMENSIONS IN INCHES
UNLESS OTHERWISE SPECIFIED

SCALE NTS

REFERENCE

DR. BY MP

DATE 01 / 17

PART NO.

443D-C/YXX

APP. BY

DATE