

WELLMARK ELECTRIC  
PH: 519-650-4495  
wellmarkelectric.com

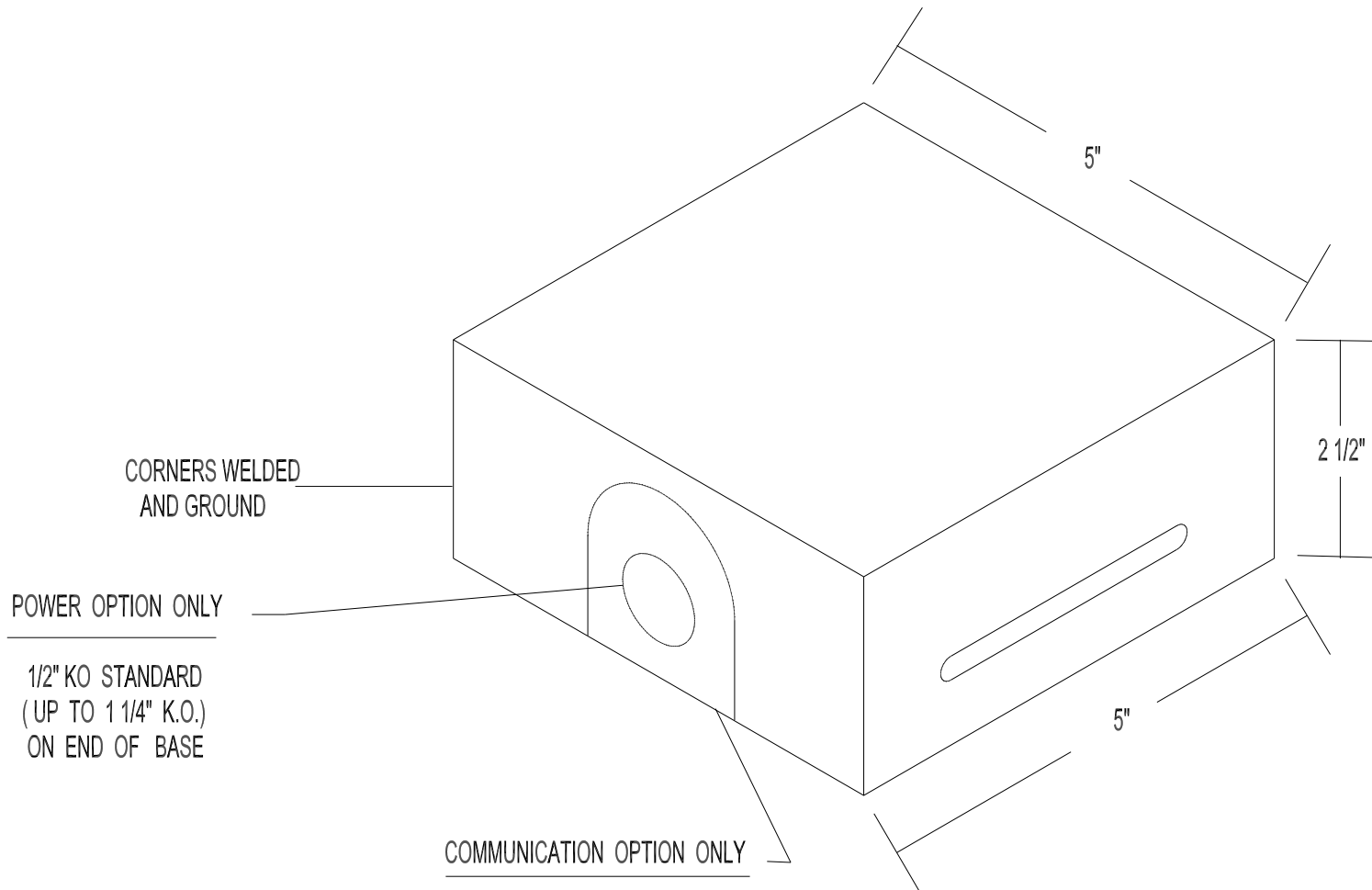
MATERIALS: 16 GA STEEL

NOTES: TOP - POWDER COAT TEXTURED BLACK

TITLE

FA SERIES FLOOR MONUMENT

<p><small>DIMENSIONS IN INCHES UNLESS OTHERWISE SPECIFIED</small></p> <p>DR. BY MP      DATE 01 / 17</p> <p>APP. BY              DATE</p>	<p>SCALE    NTS</p>	<p>REFERENCE</p> <p>PART NO.    FA2-00-B-P (POWER)                   FA2-00-B-C (COMMUNICATION)</p>
---	---------------------	---



CORNERS WELDED  
AND GROUND

POWER OPTION ONLY

1/2" KO STANDARD  
(UP TO 1 1/4" K.O.)  
ON END OF BASE

COMMUNICATION OPTION ONLY

FA2-00-B-2 3/4" 2 1/4" GROMMETED  
OPENING



WELLMARK ELECTRIC  
PH: 519-650-4495  
wellmarkelectric.com

MATERIALS: 16 GA STEEL

NOTES: TOP - POWDER COAT TEXTURED BLACK



TITLE

FA SERIES FLOOR MONUMENT

DIMENSIONS IN INCHES  
UNLESS OTHERWISE SPECIFIED

SCALE NTS

REFERENCE

DR. BY MP

DATE 01 / 17

PART NO. FA2-00-B-P-2 1/2" (POWER)

APP. BY

DATE

FA2-00-B-C-2 1/2" (COMMUNICATION)