

WELLMARK ELECTRIC
 PH: 519-650-4495
 wellmarkelectric.com

MATERIALS: 16 GA STEEL

NOTES: TOP - POWDER COAT TEXTURED BLACK



TITLE

FA SERIES FLOOR MONUMENT

DIMENSIONS IN INCHES
 UNLESS OTHERWISE SPECIFIED

SCALE NTS

REFERENCE

DR. BY MP

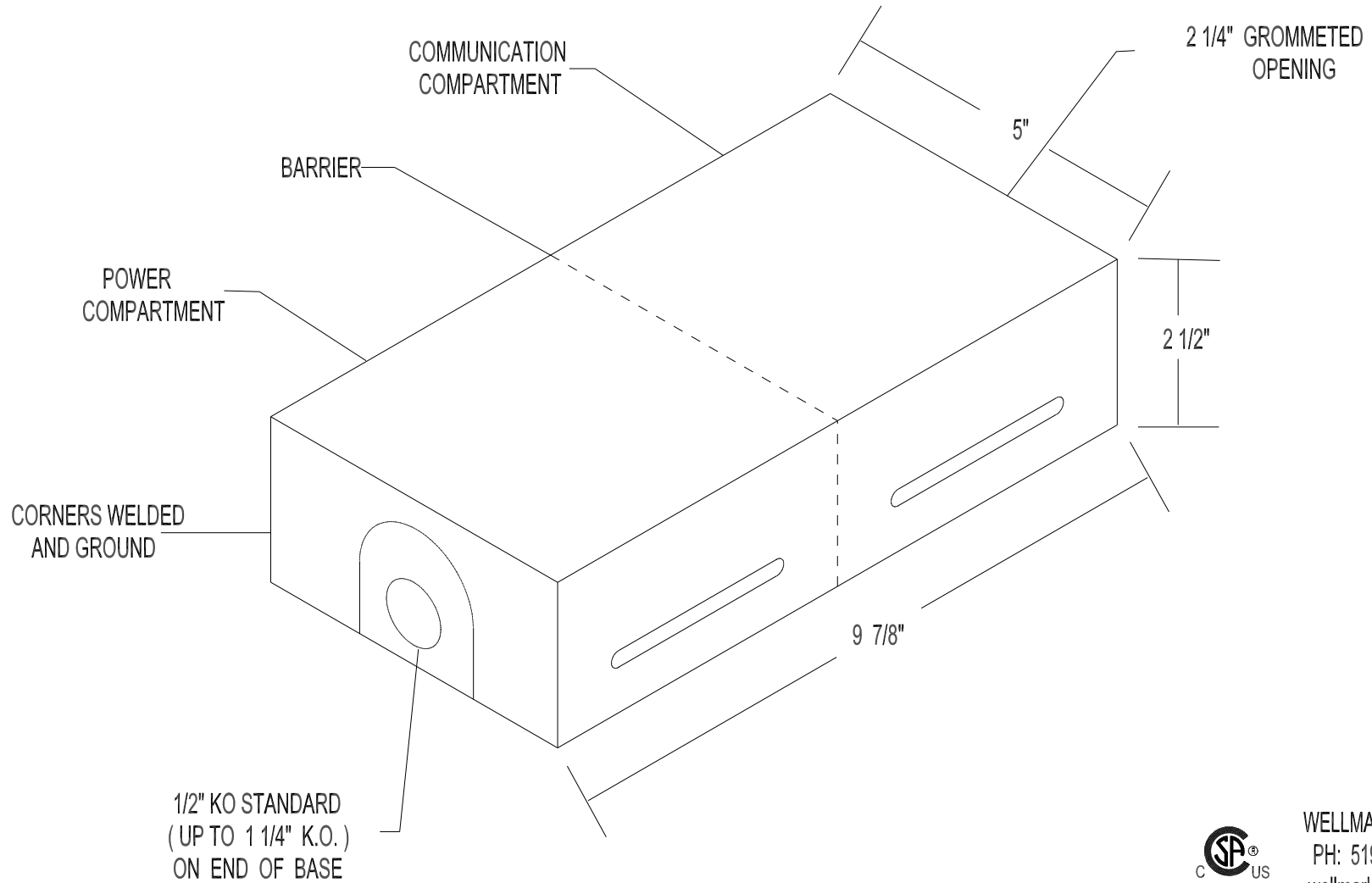
DATE 1 / 17

PART NO.

FA4-0000-B

APP. BY

DATE



WELLMARK ELECTRIC
 PH: 519-650-4495
 wellmarkelectric.com

MATERIALS: 16 GA STEEL

NOTES: TOP - POWDER COAT TEXTURED BLACK



TITLE

FA SERIES FLOOR MONUMENT

DIMENSIONS IN INCHES
 UNLESS OTHERWISE SPECIFIED

SCALE NTS

REFERENCE

DR. BY MP

DATE 01 / 17

PART NO.

FA4-0000-B-2 1/2"

APP. BY

DATE