

WELLMARK ELECTRIC  
 PH: 519-650-4495  
 wellmarkelectric.com

MATERIALS: 16 GA STEEL

NOTES: TOP - POWDER COAT TEXTURED BLACK



TITLE

FA SERIES FLOOR MONUMENT

DIMENSIONS IN INCHES  
 UNLESS OTHERWISE SPECIFIED

SCALE NTS

REFERENCE

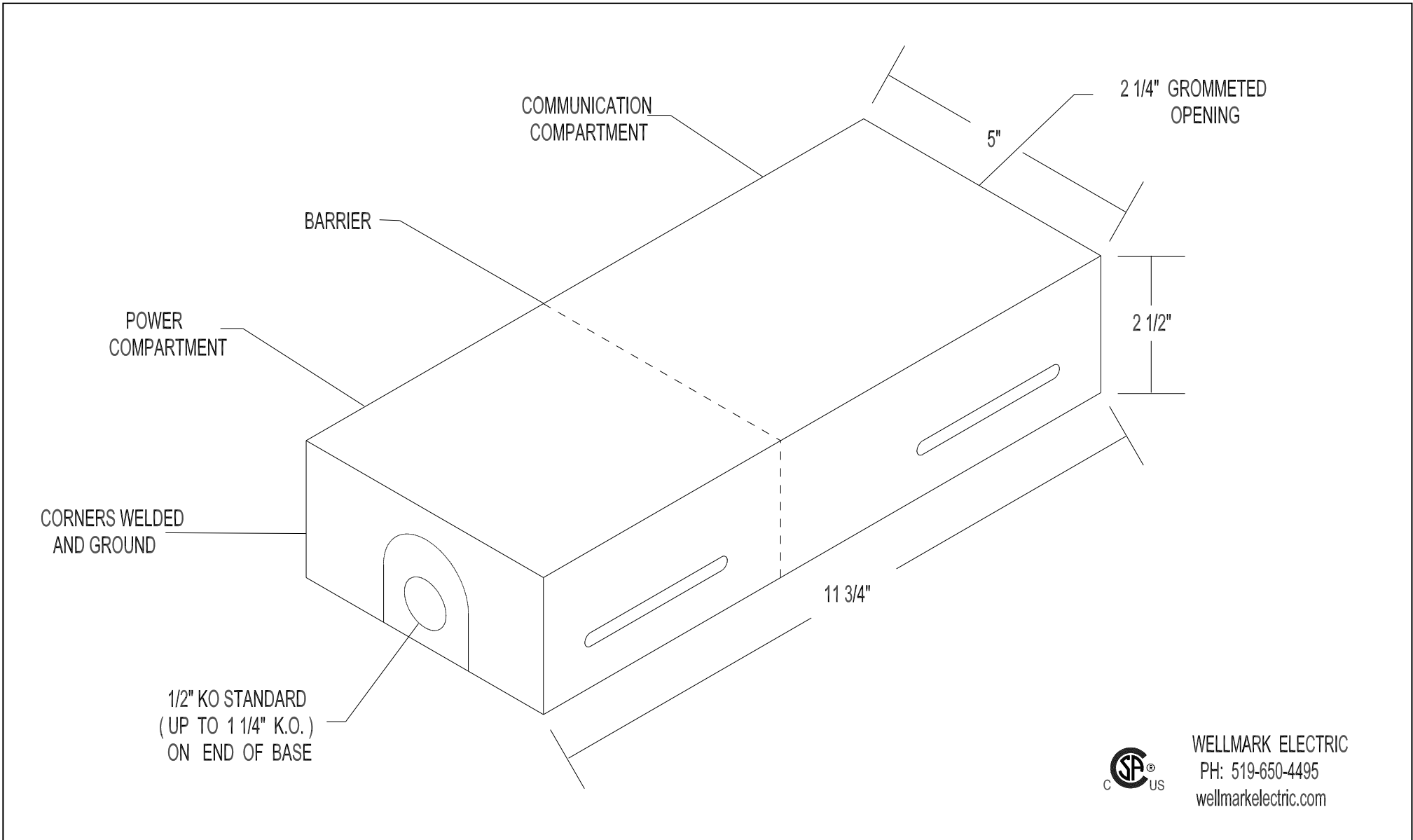
DR. BY MP


DATE 01 / 17

PART NO. FA5-00000-B

APP. BY

DATE



MATERIALS: 16 GA STEEL				TITLE
NOTES: TOP - POWDER COAT TEXTURED BLACK				FA SERIES FLOOR MONUMENT
		DIMENSIONS IN INCHES UNLESS OTHERWISE SPECIFIED	SCALE NTS	REFERENCE
		DR. BY MP	DATE 01 / 17	PART NO. FA5-00000-B-2 1/2"
		APP. BY	DATE	