

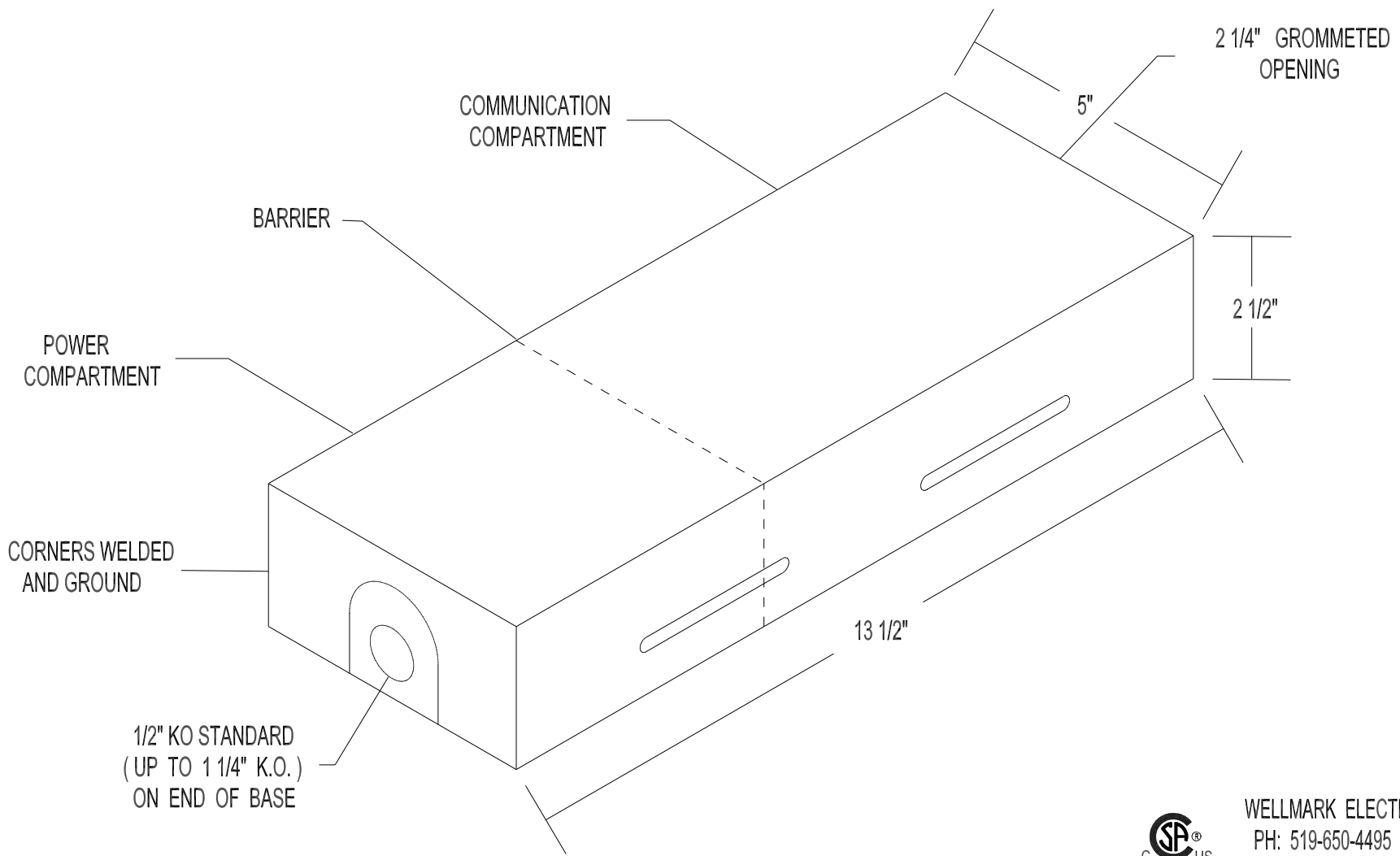
WELLMARK ELECTRIC  
 PH: 519-650-4495  
 wellmarkelectric.com

MATERIALS: 16 GA STEEL

NOTES: TOP - POWDER COAT TEXTURED BLACK

	TITLE
	FA SERIES FLOOR MONUMENT


DIMENSIONS IN INCHES UNLESS OTHERWISE SPECIFIED	SCALE NTS DATE 01 / 17	REFERENCE PART NO. FA6-000000-B
DR. BY MP	DATE	
APP. BY	DATE	




 WELLMARK ELECTRIC  
 PH: 519-650-4495  
 wellmarkelectric.com

MATERIALS: 16 GA STEEL

NOTES: TOP - POWDER COAT TEXTURED BLACK

	TITLE
	FA SERIES FLOOR MONUMENT

DIMENSIONS IN INCHES UNLESS OTHERWISE SPECIFIED	SCALE NTS DATE 01 / 17	REFERENCE PART NO. FA6-000000-B-2 1/2"
DR. BY MP	DATE	
APP. BY	DATE	