

WELLMARK ELECTRIC
 PH: 519-650-4495
 wellmarkelectric.com

MATERIALS: 16 GA STEEL

NOTES: TOP - POWDER COAT TEXTURED BLACK



TITLE

FM SERIES FLOOR MONUMENT

DIMENSIONS IN INCHES
 UNLESS OTHERWISE SPECIFIED

SCALE

NTS

REFERENCE

DR. BY MP

DATE

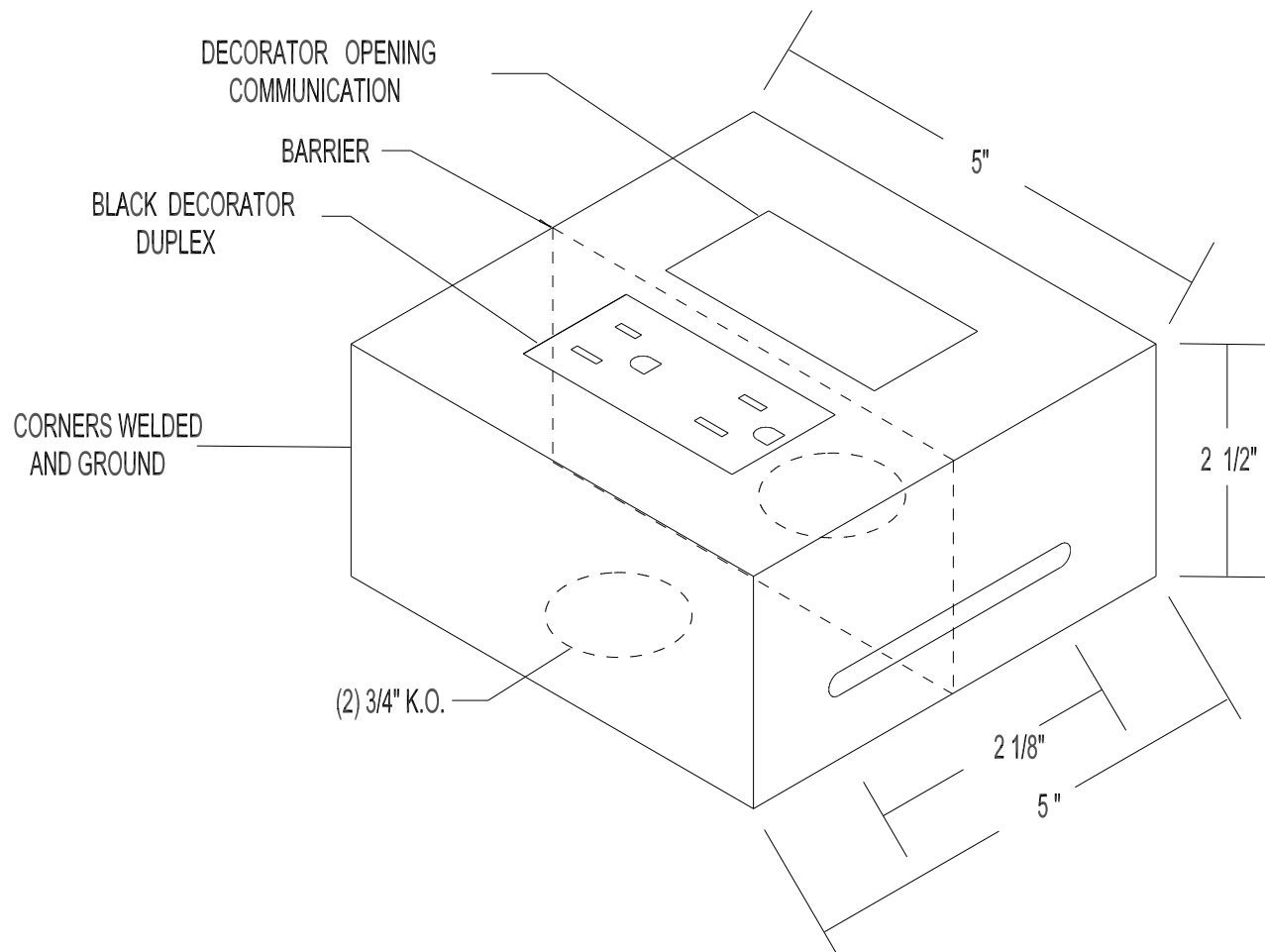
01 / 17

PART NO.

FM2 - 1/X - B

APP. BY

DATE



WELLMARK ELECTRIC
 PH: 519-650-4495
 wellmarkelectric.com

MATERIALS: 16 GA STEEL

NOTES: TOP - POWDER COAT TEXTURED BLACK



TITLE

FM SERIES FLOOR MONUMENT

DIMENSIONS IN INCHES
 UNLESS OTHERWISE SPECIFIED

SCALE

NTS

REFERENCE

DR. BY MP

DATE

01 / 17

PART NO.

APP. BY

DATE

FM2 - 1/X - B - 2 1/2"